

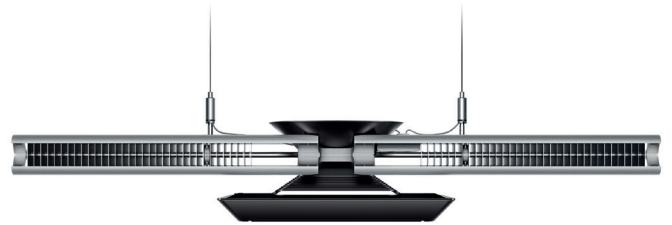
TECHNICAL SPECIFICATION

Cu-Beam™ suspended lights provide powerful light, precisely where you need it. Heat pipe technology creates a highly effective cooling system, meaning each light uses a single high-power, high-efficiency chip on board LED. This single light source, combined with a custom-designed lens, delivers optically efficient, precisely controlled illumination.

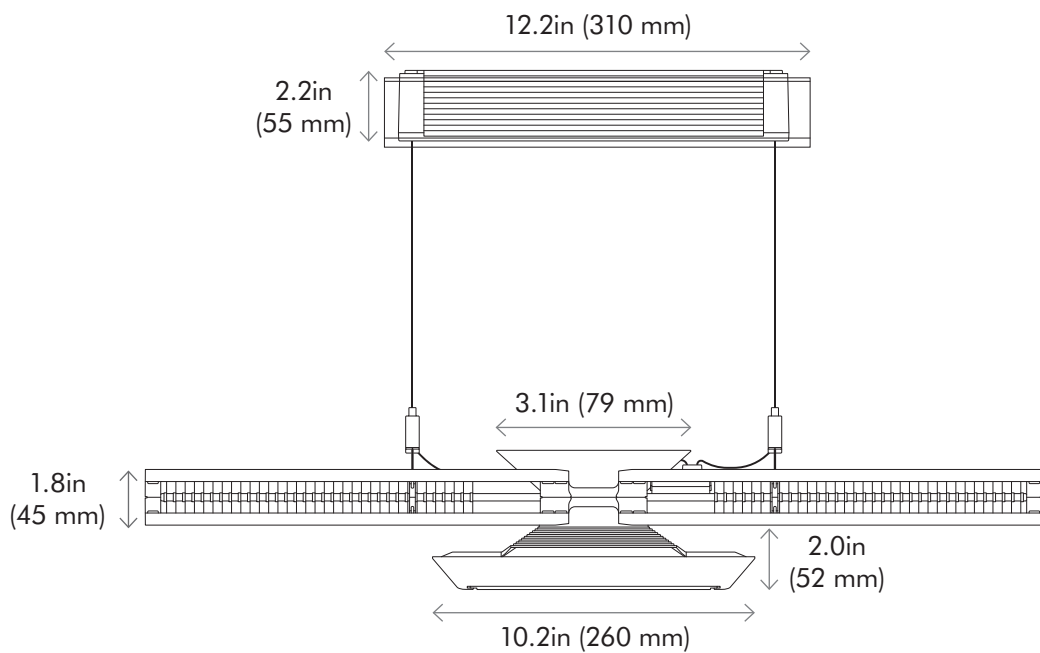
The cooling system also prolongs the life of the LED, ensuring long-lasting brightness. The luminaire is supplied with a customized driver, with additional heat sinks and high-grade-capacitors.

To specify, state:

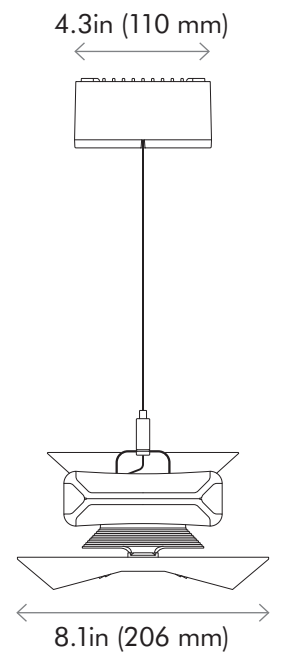
Sleek suspended luminaire with two high efficiency chip on board LEDs CRI 80min 2 step binning – cooled via sintered copper heat pipes. Custom-engineered rectangular and toroidal optics with adjustable trim shutters for optimum framing and glare control. Full flexible control of upward and downward light with the ability to split and dim the light via addressable dimming solutions.



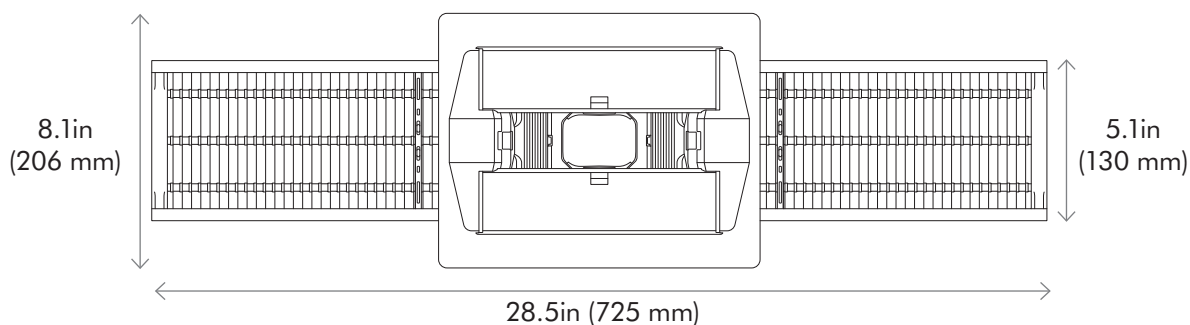
FRONT ELEVATION



SIDE ELEVATION



UNDER ELEVATION



Installation

Pendant system complete with power supply driver and suspension cable (L = 157.5in / 4000mm maximum)

Mounting: Ceiling pendant. Driver recessed or surface mounted.

Environment: IP rating 20. Indoor use only

Operating temperature range: 0°F - 104°F (0°C - 40°C)

Electrical

Input voltage / Frequency: 100-240V, 50/60Hz

Control signal voltage: 0-16V

Rated power: 83W

Standby power consumption: 0.5W

Driver included: Yes

Embedded control: No

Dimmable: DALI, PWM, 0-10V, 1-10V

Minimum dim level: 10%

Suitable for random switching: Yes
(Switching related to presence and daylight harvesting)

Wiring: Product complete with electronic components

Factory pre-set light split ratio: 50% down-light / 50% up-light
(additional split ratio available with 0-10 & 1-10V controls)

Optical

Light source: Chip on board LEDs

Number of light sources: 2

Light source replaceable: No

3000K Fixture light output: 8875 lm

4000K Fixture light output: 9400 lm

3000K Luminous efficacy: 107 lm/W

4000K Luminous efficacy: 113 lm/W

3000K Fixture illuminance: 673 lux across 10.5ft x 5.3ft /
3.2m x 1.6m surface when mounted 4.3ft / 1.3m from task
surface. Based on 50% down-light and 50% up-light split ratio.

4000K Fixture illuminance: 722 lux across 10.5ft x 5.3ft /
3.2m x 1.6m surface when mounted 4.3ft / 1.3m from task
surface. Based on 50% down-light and 50% up-light split ratio.

Color temperature: 3000K / 4000K
(custom option on request)

CRI: 80 minimum

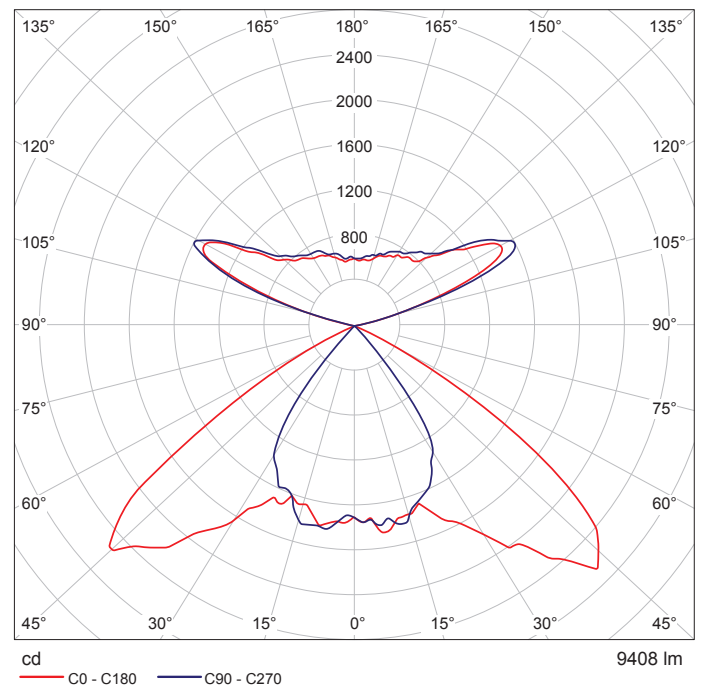
LED binning: 2 step (ANSI)

Construction

Housing materials:
Aluminium / Copper / Polycarbonate / Polyarylamide

Optical lens materials: PMMA (Acrylic)

Polar plot (4000K fixture)



Operation

DALI, PWM, 0-10V, 1-10V

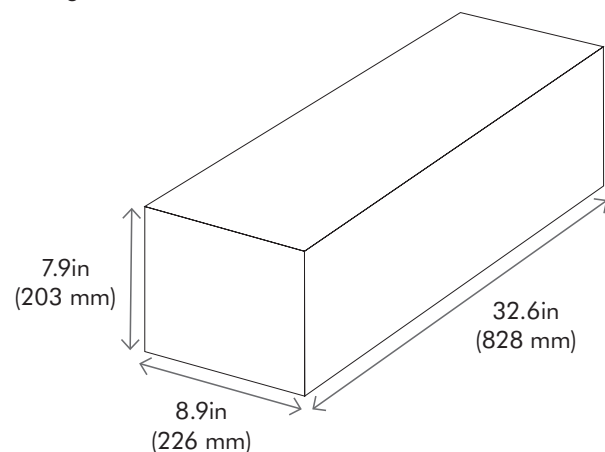
Power Supply Driver:
Not suitable for use with external mains dimmers

Logistics

Net (fixture) weight: 7lb (3.24kg)

Packaged weight: 12lb 13oz (5.84kg)

Packaged dimensions:



Standard warranty

5 years (parts only)